

Schnell-Verschraubungen Typ 300 und 400

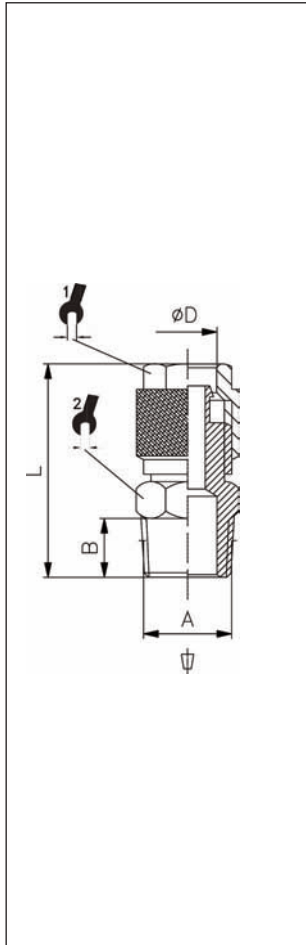
Push-on Fittings Type 300 & 400
Raccordi al calzamento Tipo 300 & 400
Raccords rapides Type 300 & 400

Typ 300 + 400



Material: Messing vernickelt
Gewinde: konisch und zylindrisch nach DIN 3852 Teil 1 und Teil 2
Größen: M5-G1/2
Schlauchgröße: 4mm - 15mm Außendurchmesser
max. Druck: 20bar
Verwendbare Schläuche: Polyamid
 Polyethylen
 Polyurethan
 PVU-Vinnylan synthesefadenarmiert

Material: brass nickel plated
Threads: taper and parallel according to DIN 3852 Part 1 and Part 2
Sizes: M5-G1/2
Tube dimensions: 4mm - 15mm OD
max. Pressure: 20bar
Suggested tubes: Polyamide
 Polyethylene
 Polyurethane
 PVU-Vinnylan fabric-reinforced

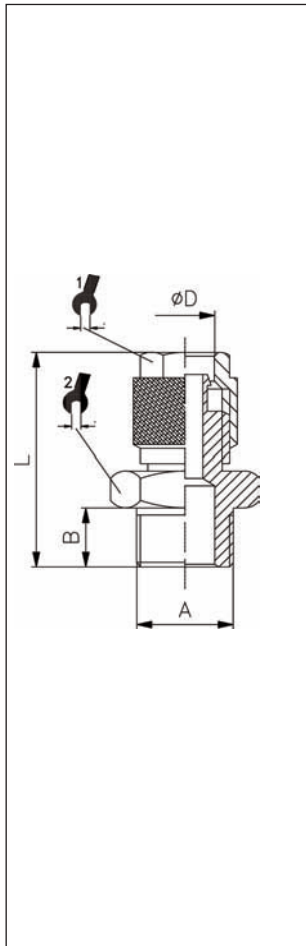


301

gerade Einschraubverschraubung konisch

Taper straight male adaptor
 Raccordo diritto maschio conico
 Piquage droit conique

	ØD	A	B	L			
10003	4/2,7	G ¹ / ₈	7,5	23,0	8	12	100
10004	5/3	G ¹ / ₈	7,5	23,0	8	12	100
10005	6/4	G ¹ / ₈	7,5	25,6	10	12	100
10006	6/4	G ¹ / ₄	11,0	29,6	10	14	100
10007	8/6	G ¹ / ₈	7,5	26,9	12	14	100
10008	8/6	G ¹ / ₄	11,0	30,9	12	14	100
10009	8/6	G ³ / ₈	11,5	31,4	12	17	100
10010	8/6	G ¹ / ₂	14,0	34,0	12	22	100
10011	10/8	G ¹ / ₈	7,5	29,0	14	14	100
10012	10/8	G ¹ / ₄	11,0	33,0	14	14	100
10013	10/8	G ³ / ₈	11,5	33,5	14	17	100
10014	10/8	G ¹ / ₂	14,0	36,5	14	22	50
10015	12/10	G ³ / ₈	11,5	35,0	15	17	50
10016	12/10	G ¹ / ₂	14,0	38,0	15	22	50
10017	15/12,5	G ¹ / ₂	14,0	40,0	22	22	50

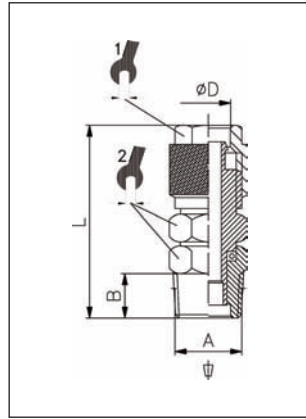


301/Z

gerade Einschraubverschraubung zylindrisch

Parallel straight male adaptor
 Raccordo diritto maschio cilindrico
 Piquage droit cylindrique
 *mit O-Ring *with O-Ring *con O-Ring *avec O-Ring

	ØD	A	B	L				*
10202	4/2,7	M5	4,0	19,5	7	8	100	*
10224	4/2,7	G ¹ / ₈	6,0	25,0	7	13	100	*
10203	4,3/3	M5	4,0	19,5	8	8	100	
10204	4,3/3	G ¹ / ₈	6,0	25,0	8	13	100	*
10205	5/3	M5	4,0	22,1	8	8	100	
10207	5/3	G ¹ / ₈	6,0	25,0	8	13	100	*
10208	6/4	M5	4,0	22,1	8	9	100	
10209	6/4	G ¹ / ₈	6,0	25,0	10	13	100	
10210	6/4	G ¹ / ₄	8,0	27,0	10	17	100	
10211	6/4	G ³ / ₈	9,0	27,6	10	19	100	*
10225	6/4	G ¹ / ₂	10,0	30,0	10	24	100	*
10212	8/6	G ¹ / ₈	6,0	25,0	12	14	100	
10213	8/6	G ¹ / ₄	8,0	27,0	12	17	100	
10214	8/6	G ³ / ₈	9,0	30,0	12	19	100	
10215	8/6	G ¹ / ₂	10,0	30,0	12	24	100	*
10226	10/8	G ¹ / ₈	6,0	27,5	14	14	50	
10216	10/8	G ¹ / ₄	8,0	30,0	14	17	50	
10217	10/8	G ³ / ₈	9,0	31,0	14	19	50	
10218	10/8	G ¹ / ₂	10,0	32,5	14	24	50	*
10219	12/10	G ³ / ₈	9,0	32,5	15	19	50	*
10220	12/10	G ¹ / ₂	10,0	34,0	15	24	50	*
10221	15/12,5	G ¹ / ₂	10,0	34,0	22	24	50	*
10222	12/9	G ¹ / ₄	8,0	31,0	15	17	50	
10223	12/9	G ³ / ₈	9,0	31,0	15	20	50	



301DK

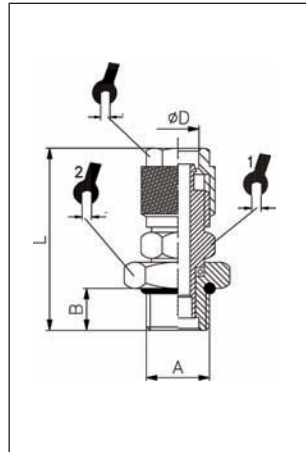
gerade Einschraubverschraubung drehbar konisch

Swivel straight taper adaptor

Raccordo diritto conico girevole

Piquage droit orientable conique

	ØD	A	B	L			
10101	6/4	R ¹ / ₈	7,5	32,5	10	12	100
10102	6/4	R ¹ / ₄	11,0	36,5	10	14	100
10103	8/6	R ¹ / ₈	7,5	32,5	12	12	100
10104	8/6	R ¹ / ₄	11,0	36,5	12	14	100
10105	10/8	R ¹ / ₄	11,0	37,5	14	14	50
10106	12/10	R ³ / ₈	11,5	39,5	15	17	50



301DZ

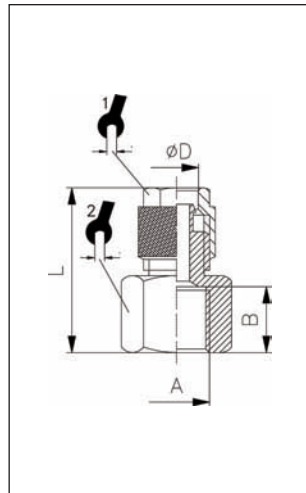
gerade Einschraubverschraubung drehbar zylindrisch mit O-Ring

Swivel straight parallel adaptor with O-Ring

Raccordo diritto cilindrico girevole con O-Ring

Piquage droit orientable cylindrique avec O-Ring

	ØD	A	B	L			
10151	6/4	G ¹ / ₈	6,0	31,0	12	14	100
10152	6/4	G ¹ / ₄	8,0	33,5	14	17	100
10154	8/6	G ¹ / ₈	6,0	31,0	12	14	100
10155	8/6	G ¹ / ₄	8,0	33,5	14	17	100
10156	10/8	G ¹ / ₄	8,0	34,5	14	17	50
10157	12/10	G ³ / ₈	9,0	37,0	17	19	50

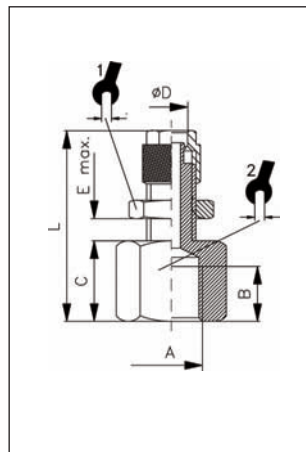


302

Manometerverschraubung | Straight female adaptor

Raccordo diritto femmina | Piquage droit femelle

	ØD	A	B	L			
10302	6/4	G ¹ / ₈	7,5	23,3	10	14	100
10303	6/4	G ¹ / ₄	11,0	27,0	10	17	100
10304	6/4	G ³ / ₈	11,5	28,0	10	22	100
10304	6/4	G ¹ / ₂	11,0	26,5	10	24	100
10305	8/6	G ¹ / ₈	7,5	24,7	12	14	100
10306	8/6	G ¹ / ₄	11,0	28,7	12	17	100
10307	8/6	G ³ / ₈	11,5	29,2	12	22	100
10308	8/6	G ¹ / ₄	15,0	33,0	12	24	100
10310	10/8	G ¹ / ₄	11,0	30,5	14	17	100
10311	10/8	G ¹ / ₄	11,5	33,3	14	22	50
10312	10/8	G ¹ / ₂	15,0	34,5	14	24	50
10313	12/10	G ³ / ₈	11,5	31,0	15	22	50



302F

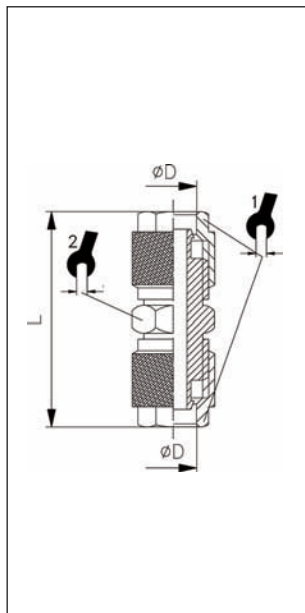
Manometer-Schottverschraubung

Straight female adaptor (special)

Raccordo diritto femmina (speciale)

Traversée de cloison piquage femelle

	ØD	A	B	C	E	L			
10520	5/3	M5	4,5	8	8	29	8	9	100
10521	6/4	G ¹ / ₈	8,0	12	10	38	10	13	100
10522	8/6	G ¹ / ₈	12,0	12	10	39	12	17	100
10523	8/6	G ¹ / ₄	12,0	18	10	45	12	17	100
10524	12/9	G ¹ / ₄	12,0	18	10	47	15	22	50
10525	8/6	G ³ / ₈	12,0	19	10	46	12	17	50
10526	12/9	G ³ / ₈	12,0	19	10	51	15	22	25

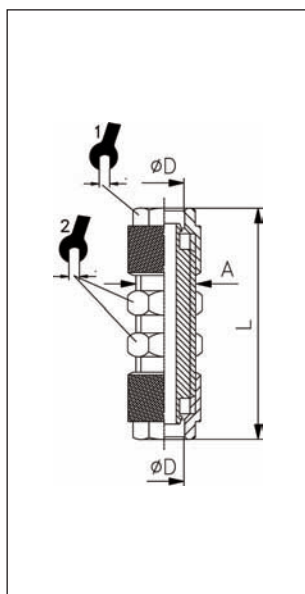


303

gerader Verbinder

Straight connector
Raccordo diritto intermedio
Union double

	ØD	L	1	2	■
10403	4/2,7	27,5	7	8	100
10404	5/3	31,7	8	10	100
10405	6/4x5/3	32,2	10	12	100
10406	6/4	32,2	10	12	100
10407	8/6x6/4	35,5	12	12	100
10408	8/6	34,8	12	12	100
10409	10/8x6/4	35,6	14	14	100
10410	10/8x8/6	36,9	14	14	100
10411	10/8	39,0	14	14	100
10412	12/10	43,0	15	17	50
10413	15/12,5	47,0	22	22	50

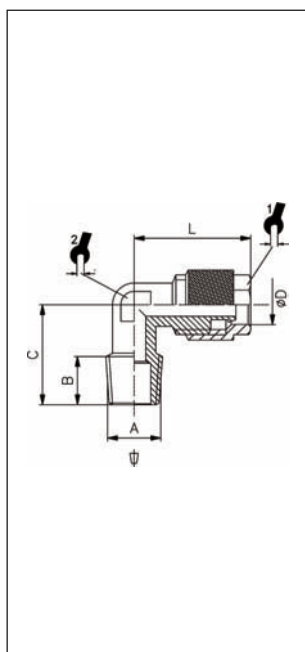


304

gerader Schottverbinder

Bulkhead connector
Raccordo intermedio passaparete
Traversée de cloison

	ØD	A	L	1	2	■
10501	4/2,7	M6x0,5	39,6	7	9	100
10502	5/3	M7x0,75	39,6	8	9	100
10503	6/4x5/3	M10x1	45,5	10	14	100
10504	6/4	M10x1	45,0	10	14	100
10505	8/6x6/4	M12x1	47,3	12	17	100
10506	8/6	M12x1	48,4	12	17	100
10507	10/8x6/4	M14x1	49,8	14	17	100
10508	10/8x8/6	M14x1	51,2	14	17	100
10509	10/8	M14x1	54,0	14	17	100
10510	12/10	M16x1	57,0	15	19	50
10511	15/12,5	M20x1	59,0	22	24	50
10512	12/9	M16x1	58,0	15	19	50

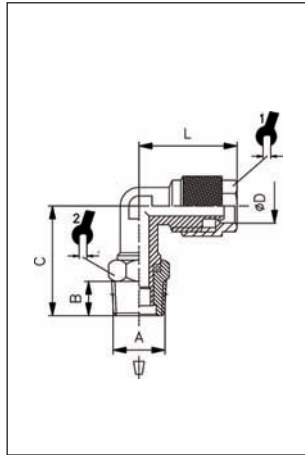


305

Winkeleinschraubverschraubungen konisch

Elbow taper male adaptor
Raccordo ad L maschio conico
Équerre mâle conique

	ØD	A	B	C	L	1	2	■
11001	5/3	G ¹ / ₈	7,5	15,0	18,5	8	8	100
11003	6/4	G ¹ / ₈	8,5	17,0	21,0	10	8	100
11004	6/4	G ¹ / ₄	11,0	19,0	20,6	10	8	100
11006	8/6	G ¹ / ₈	8,5	17,0	20,0	12	9	100
11007	8/6	G ¹ / ₄	11,0	19,0	21,9	12	9	100
11008	8/6	G ³ / ₈	11,0	21,0	21,0	12	9	100
11009	8/6	G ¹ / ₂	14,0	28,0	23,5	12	16	50
11010	10/8	G ¹ / ₈	7,5	18,0	24,0	14	11	100
11011	10/8	G ¹ / ₄	11,0	22,0	24,0	14	11	100
11012	10/8	G ³ / ₈	11,5	22,0	25,5	14	11	50
11013	10/8	G ¹ / ₂	14,0	28,0	23,5	14	16	50
11014	12/10	G ³ / ₈	11,5	22,5	27,0	15	13	50
11015	12/10	G ¹ / ₂	14,0	28,0	27,0	15	16	50
11016	15/12,5	G ¹ / ₂	14,0	28,0	31,5	22	16	50

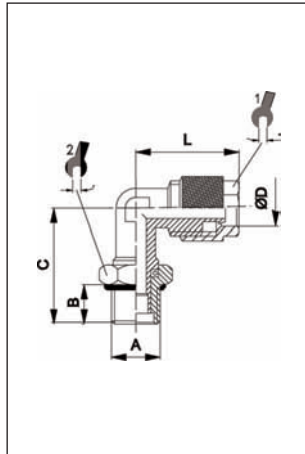


305DK

Winkeleinschraubverschraubungen konisch

Swivel elbow taper male adaptor
Raccordo ad L girevole conico
Équerre mâle orientable conique

	ØD	A	B	C	L			
11101	6/4	R ¹ / ₈	7,5	21,5	20,6	10	12	100
11102	6/4	R ¹ / ₄	11,0	25,0	20,6	10	14	100
11103	8/6	R ¹ / ₈	7,5	21,5	21,6	12	12	100
11104	8/6	R ¹ / ₄	11,0	26,0	23,1	12	14	100
11105	10/8	R ¹ / ₄	11,0	27,0	24,0	14	14	100

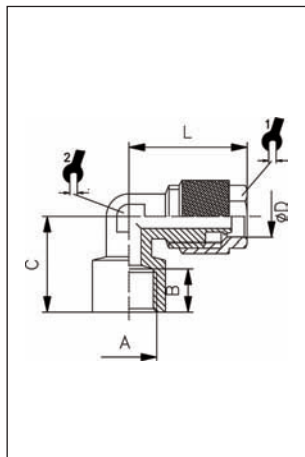


305DZ

Winkeleinschraubverschraubungen zyl. mit O-Ring

Swivel elbow parallel adaptor with O-Ring
Raccordo ad L girevole cilindrico con O-Ring
Équerre mâle orientable cylindrique avec O-Ring

	ØD	A	B	C	L			
11151	6/4	G ¹ / ₈	6	22,0	20,6	10	13	100
11152	6/4	G ¹ / ₄	8	26,0	20,6	10	16	100
11153	8/6	G ¹ / ₈	6	22,0	21,6	12	13	100
11154	8/6	G ¹ / ₄	8	26,5	23,1	12	16	100
11155	10/8	G ¹ / ₄	8	27,5	24,0	14	16	100

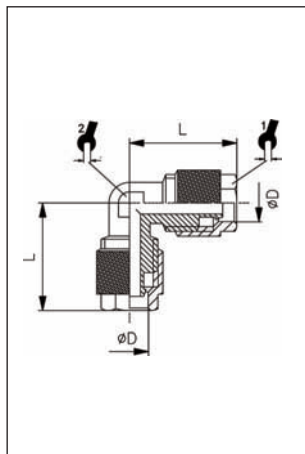


305F

Winkelaufschraubverschraubung

Straight female adaptor
Dritto femmina cilindrico
Piquage droit femelle cylindrique

	ØD	A	B	C	L			
11201	5/3	G ¹ / ₈	7,5	18,0	20,6	8	8	100
11202	6/4	G ¹ / ₈	7,5	18,0	20,6	10	8	100
11203	6/4	G ¹ / ₄	11,0	21,0	21,2	10	9	100
11204	8/6	G ¹ / ₈	7,5	19,0	21,9	12	9	100
11205	8/6	G ¹ / ₄	11,0	21,0	23,4	12	9	100
11206	10/8	G ¹ / ₄	11,0	22,0	25,5	14	11	100
11207	10/8	G ³ / ₈	11,5	25,0	25,5	14	14	100

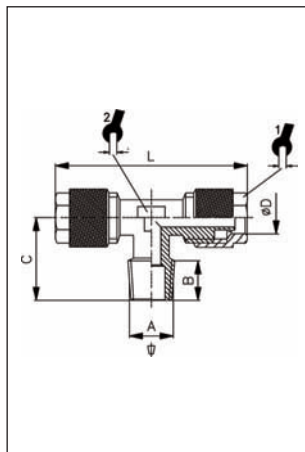


306

Winkelverbinder

Elbow connector
Raccordo ad L intermedio
Équerre égal

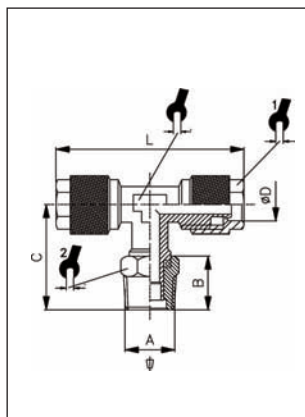
	ØD	L			
11302	5/3	20,6	8	8	100
11303	6/4	20,6	10	8	100
11304	8/6x6/4	21,9	12	9	100
11305	8/6	21,9	12	9	100
11306	10/8	25,5	14	11	50
11307	12/10	27,0	15	13	50
11308	15/12,5	33,5	22	16	50



307

T-Einschraubverschraubung konisch | Central tee adaptor
Raccordo a T centrale | Té centre mâle conique

	ØD	A	B	C	L			
12002	5/3	R ¹ / ₈	7,5	15,0	37,2	8	8	100
12003	6/4	R ¹ / ₈	7,5	15,0	37,2	10	8	100
12004	6/4	R ¹ / ₄	11,0	19,0	41,2	10	9	100
12006	8/6	R ¹ / ₈	7,5	16,5	39,8	12	9	100
12007	8/6	R ¹ / ₄	11,0	20,5	43,8	12	9	100
12008	8/6	R ³ / ₈	11,5	20,6	45,0	12	12	100
12009	10/8	R ¹ / ₈	7,5	18,0	48,0	14	11	100
12010	10/8	R ¹ / ₄	11,0	22,0	48,0	14	11	50
12011	10/8	R ³ / ₈	11,5	22,0	51,0	14	11	50
12013	12/10	R ³ / ₈	11,5	22,5	54,0	15	13	50
12015	15/12,5	R ¹ / ₂	14,0	28,0	63,0	22	16	50

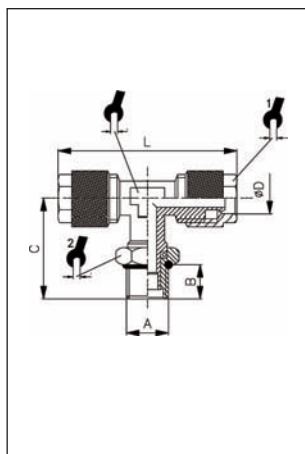


307DK

T-Einschraubverschraubung drehbar konisch

Central tee taper adaptor
Raccordo a T centrale girevole
Té centre mâle orientable conique

	ØD	A	B	C	L			
12101	6/4	R ¹ / ₈	7,5	21,5	41,2	10	12	100
12102	6/4	R ¹ / ₄	11,0	25,0	41,2	10	14	100
12103	8/6	R ¹ / ₈	7,5	22,0	43,2	12	12	100
12104	8/6	R ¹ / ₄	11,0	25,5	43,2	12	14	100
12105	10/8	R ¹ / ₄	11,0	27,0	48,0	14	14	100

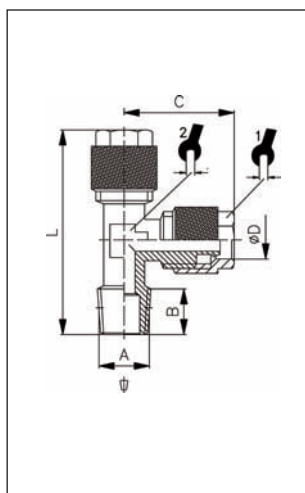


307DZ

T-Einschraubverschraubung drehbar zylindrisch mit O-Ring

Rotary tee parallel adaptor with O-Ring
Raccordo a T girevole cilindrico con O-Ring
Té centre mâle orientable cylindrique avec O-Ring

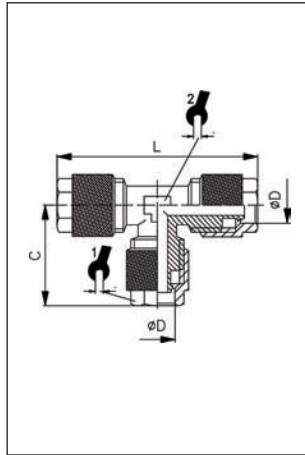
	ØD	A	B	C	L			
12151	6/4	G ¹ / ₈	6	22,0	39,0	8	13	100
12152	6/4	G ¹ / ₄	8	26,0	39,0	8	16	100
12153	8/6	G ¹ / ₈	6	24,0	40,0	9	13	100
12154	8/6	G ¹ / ₄	8	27,5	40,0	9	16	100
12155	10/8	G ¹ / ₄	8	27,5	45,0	11	16	100



308

L-Einschraubverschraubung konisch | Off-set tee adaptor
Raccordo a T laterale | Té d'equerre mâle conique

	ØD	A	B	C	L			
12202	5/3	R ¹ / ₈	8,5	20,6	35,5	8	8	100
12203	6/4	R ¹ / ₈	8,5	20,6	35,5	10	8	100
12204	6/4	R ¹ / ₄	11,0	20,6	39,0	10	8	100
12205	8/6	R ¹ / ₈	8,0	21,9	36,0	12	9	100
12206	8/6	R ¹ / ₄	11,0	21,9	40,0	12	9	100
12207	8/6	R ³ / ₈	12,0	21,9	47,0	12	12	50
12208	10/8	R ¹ / ₈	7,5	25,5	38,5	14	11	50
12209	10/8	R ¹ / ₄	12,0	25,5	41,0	14	11	50
12210	10/8	R ³ / ₈	12,0	25,5	41,5	14	11	50
12212	12/10	R ³ / ₈	12,5	28,0	45,0	15	13	50
12214	15/12,5	R ¹ / ₂	14,5	32,5	54,0	22	16	25

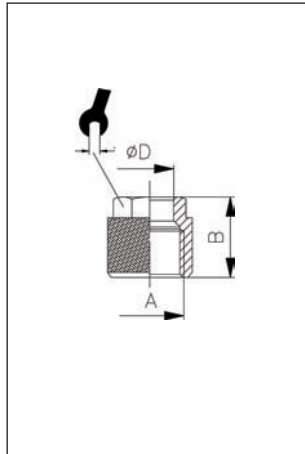
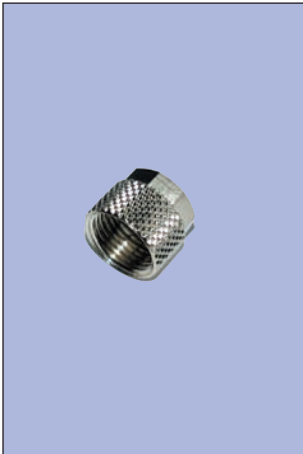


309

T-Verbinder | Tee connector

Raccordo T intermedio | Té égal

	ØD	C	L			
12300	4/2,7	19,5	38,5	7	8	100
12302	5/3	20,6	41,2	8	8	100
12303	6/4	20,6	41,2	10	8	100
12304	8/6x6/4	20,6	43,8	12	9	100
12305	8/6	21,9	43,8	12	9	100
12306	10/8x6/4	20,6	51,0	14	11	100
12307	10/8x8/6	21,9	51,0	14	11	50
12308	10/8	25,5	51,0	14	11	50
12309	12/10	28,0	54,0	15	13	50
12310	15/12,5	32,5	63,0	22	16	25

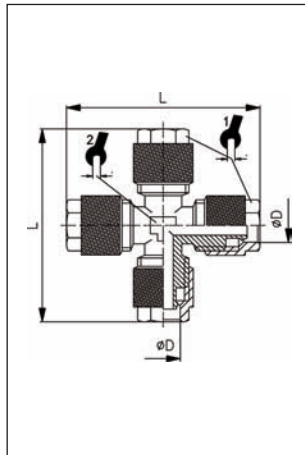


310

Überwurfmutter | Locking nut

Dado di serraggio | Écrou de serrage

	ØD	A	B		
17001	4/2,7	M6x0,5	10,0	7	100
17002	4,3/3	M7x0,75	10,0	8	100
17003	5/3	M7x0,75	10,0	8	100
17004	6/4	M8x0,75	11,0	8	100
17005	6/4	M10x1	11,0	10	100
17006	8/6	M12x1	11,5	12	100
17007	10/8	M14x1	13,5	14	100
17008	12/10	M16x1	15,0	15	100
17009	15/12,5	M20x1	16,0	22	50



311

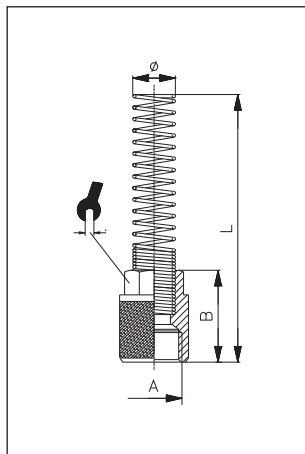
Kreuzverbinder

Cross adaptor

Raccordo a croce intermedio

Croix égale

	ØD	L			
13001	5/3	41,6	8	8	100
13002	6/4	41,6	10	8	100
13003	8/6	44,4	12	9	100
13004	10/8	51,0	14	11	50
13005	12/10	58,0	15	13	50
13006	15/12,5	64,0	22	17	50



312

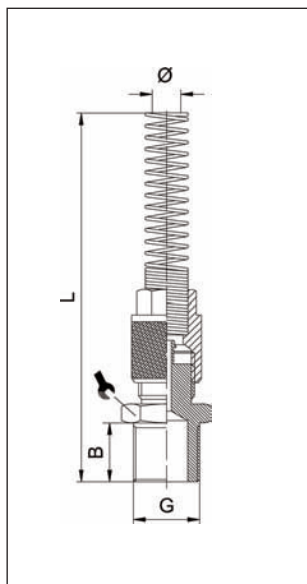
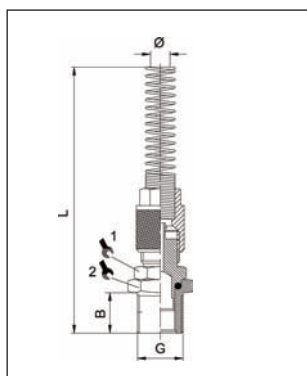
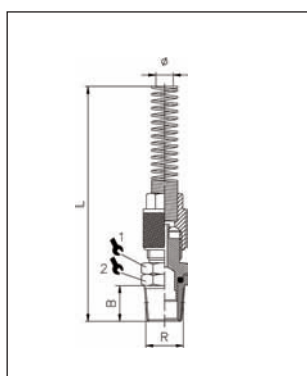
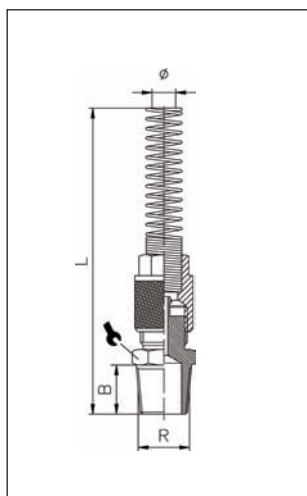
Knickschutzfeder mit Mutter

Nut + protective spring

Dado con molla

Écrou avec ressort de protection

	ØD	A	B	L		
17101	6/4	M10x1	18	93	10	50
17102	8/6	M12x1	18	98	12	50
17103	10/8	M14x1	20	105	14	50
17104	12/10	M16x1	22	112	15	50



313

Einschraubverschraubung kon. mit Knickschutzfeder

Nut + spring | dado con molla | Écrou avec ressort

	Ø	R	B	L		
10251	6/4	1/8	7,5	107,5	12	50
10252	6/4	1/4	11,0	111,5	14	50
10253	8/6	1/8	7,5	113,5	14	50
10254	8/6	1/4	11,0	117,5	14	50
10255	8/6	3/8	11,5	118,5	17	50
10256	8/6	1/2	14,0	120,5	22	50
10257	10/8	1/8	7,5	120,5	14	50
10258	10/8	1/4	11,0	124,5	14	50
10259	10/8	3/8	11,5	125,0	17	25
10260	10/8	1/2	14,0	128,0	22	25
10261	12/10	3/8	11,5	132,0	17	25
10262	12/10	1/2	14,0	135,0	22	25

314

Einschraubverschraubung kon. mit Knickschutzfeder - drehbar

Nut + spring | dado con molla | Écrou avec ressort

	Ø	R	B	L			
10263	6/4	1/8	7,5	118,0	12	12	50
10264	6/4	1/4	11,0	122,0	14	14	50
10265	8/6	1/8	7,5	123,0	12	12	50
10266	8/6	1/4	11,0	127,0	14	14	50
10267	10/8	1/4	11,0	134,0	14	14	25
10268	12/10	3/8	11,5	142,0	17	17	25

315

Einschraubverschraubung zyl. mit Knickschutzfeder - drehbar mit O-Ring

Nut + spring | dado con molla | Écrou avec ressort

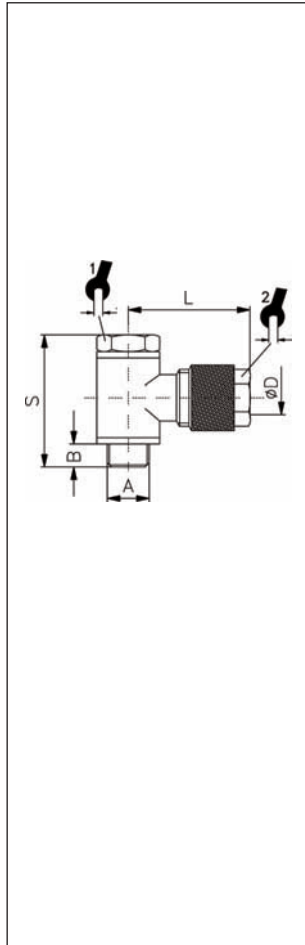
	Ø	G	B	L			
10271	6/4	1/8	7,5	118,0	12	13	50
10272	6/4	1/4	11,0	122,0	14	16	50
10273	8/6	1/8	7,5	123,0	12	13	50
10274	8/6	1/4	11,0	127,0	14	16	50
10275	10/8	1/4	11,0	134,0	14	16	25
10276	12/10	3/8	11,5	142,0	17	18	25

316

Einschraubverschraubung zyl. mit Knickschutzfeder

* mit O-Ring | Nut + spring * with O-Ring | dado con molla * con O-Ring | Écrou avec ressort * avec O-Ring

	Ø	G	B	L		
10281	6/4	1/8	6	106,0	13	50
10282	6/4	1/4	8	108,5	17	50
10283	6/4	3/8	9	109,5	19	50 *
10284	6/4	1/2	10	112,0	24	50 *
10285	8/6	1/8	6	112,0	14	50
10286	8/6	1/4	8	114,5	17	50
10287	8/6	3/8	9	115,5	19	50
10288	8/6	1/2	10	116,5	24	50
10289	10/8	1/8	6	119,0	14	50
10291	10/8	1/4	8	121,0	17	50
10292	10/8	3/8	9	122,5	19	25
10293	10/8	1/2	10	124,0	24	25 *
10294	12/10	3/8	9	129,5	19	25 *
10295	12/10	1/2	10	131,0	24	25 *



401

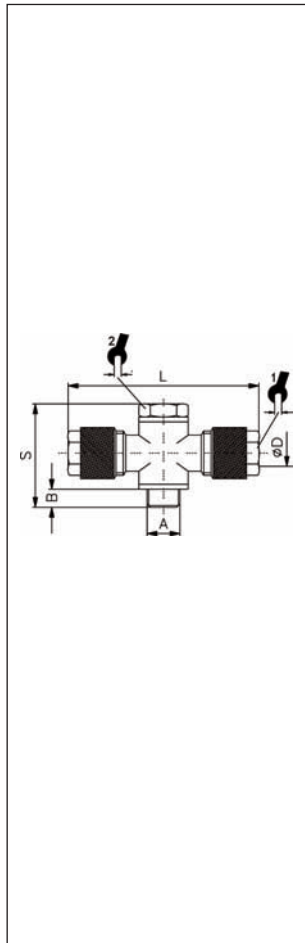
Winkelschwenkverschraubung

Complete single banjo adaptor

Raccordo orientabile singolo

Vis + corps de banjo simple

	ØC	A	B	S	L			
S25521	4/2,7	M5	3,4	23,0	16,5	8	7	100
S25523	4/2,7	G ¹ / ₈	6,0	28,0	23,0	10	7	100
S25500	4,3/3	M5	3,9	17,5	16,5	8	8	100
S25518	4,3/3	G ¹ / ₈	6,0	28,0	21,0	8	14	100
S25519	5/3	M5	3,9	17,5	16,5	8	8	100
S25520	5/3	G ¹ / ₈	3,9	28,0	23,0	8	14	100
S25501	6/4	M5	3,9	17,5	16,5	9	8	100
S25502	6/4	G ¹ / ₈	5,5	28,0	23,0	10	14	100
S25503	6/4	G ¹ / ₄	8,0	33,0	26,0	10	17	100
S25504	6/4	G ³ / ₈	9,0	37,0	26,0	10	22	100
S25505	8/6	G ¹ / ₈	5,5	28,0	23,0	12	14	100
S25506	8/6	G ¹ / ₄	8,0	33,0	26,0	12	17	100
S25507	8/6	G ³ / ₈	9,0	37,0	26,0	12	22	100
S25508	8/6	G ¹ / ₂	10,0	42,0	31,2	12	24	100
S25530	10/8	G ¹ / ₈	6,0	28,0	27,5	14	14	50
S25509	10/8	G ¹ / ₄	8,0	33,0	29,5	14	17	50
S25510	10/8	G ³ / ₈	9,0	37,0	30,5	14	22	50
S25511	10/8	G ¹ / ₂	10,0	42,0	34,0	14	24	50
S25531	12/10	G ³ / ₈	9,0	37,0	31,5	15	22	25
S25512	12/10	G ¹ / ₂	10,0	42,0	35,0	15	24	25
S25513	12/9	G ¹ / ₄	10,0	37,0	26,0	15	17	25
S25514	12/9	G ³ / ₈	8,0	37,0	30,0	15	22	25
S25532	15/12,5	G ¹ / ₂	10,0	42,0	36,5	22	24	25



402

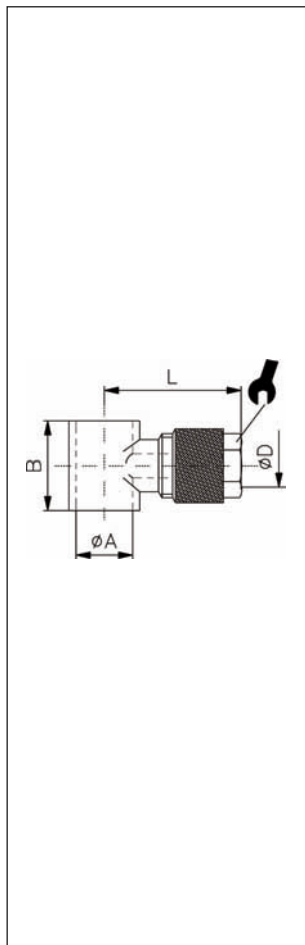
T-Schwenkverschraubung

Complete double banjo adaptor

Raccordo orientabile doppio

Vis + corps de banjo double

	ØC	A	B	S	L			
S25621	4,3/3	M5	3,9	17,5	33,0	8	8	100
S25622	4,3/3	G ¹ / ₈	6,0	28,0	46,6	8	14	100
S25623	5/3	M5	3,9	17,5	33,0	8	8	100
S25624	5/3	G ¹ / ₈	3,9	28,0	46,6	8	14	100
S25625	6/4	M5	3,9	17,5	33,0	9	8	100
S25601	6/4	G ¹ / ₈	6,0	28,0	46,6	10	14	100
S25602	6/4	G ¹ / ₄	8,0	33,0	50,0	10	17	100
S25603	6/4	G ³ / ₈	9,5	37,0	53,6	10	22	100
S25604	8/6	G ¹ / ₈	6,0	28,0	50,0	12	14	100
S25605	8/6	G ¹ / ₄	8,0	33,0	55,0	12	17	100
S25606	8/6	G ³ / ₈	9,5	37,0	55,4	12	22	100
S25607	8/6	G ¹ / ₂	10,0	42,0	61,0	12	24	100
S25631	10/8	G ¹ / ₈	6,0	28,0	53,0	14	14	50
S25608	10/8	G ¹ / ₄	8,0	33,0	59,0	14	17	50
S25609	10/8	G ³ / ₈	9,0	37,0	61,0	14	22	50
S25610	10/8	G ¹ / ₂	10,0	42,0	68,0	14	24	25
S25632	12/10	G ³ / ₈	9,5	37,0	63,0	15	22	25
S25611	12/10	G ¹ / ₂	10,0	42,0	70,0	15	24	25
S25614	12/9	G ³ / ₈	8,0	31,5	66,0	15	22	25
S25633	15/12,5	G ¹ / ₂	10,0	42,0	62,0	22	24	25





405

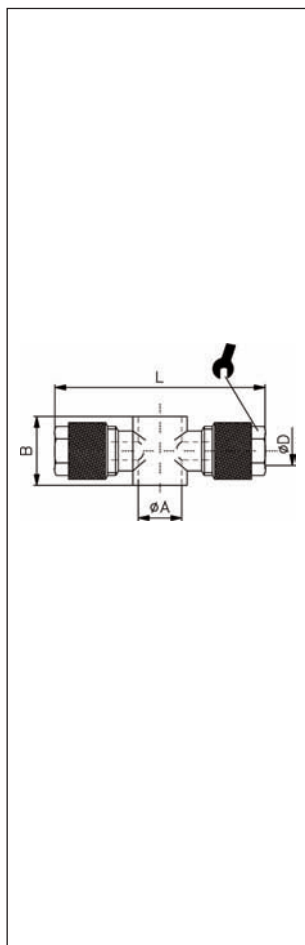
Ringstück 1-fach

Single banjo body

Anello singolo

Corps de banjo simple

	ØD	A	B	L		
15002	4/2,7	M5	9,0	16,0	8	100
15001	4/2,7	G ¹ / ₈	15,0	21,0	8	100
15004	5/3	M5	9,0	15,5	8	100
15005	5/3	G ¹ / ₈	15,0	23,0	8	100
15006	6/4	M5	9,0	16,5	9	100
15007	6/4	G ¹ / ₈	15,0	23,0	10	100
15008	6/4	G ¹ / ₄	17,0	26,0	10	100
15009	6/4	G ³ / ₈	20,0	26,0	10	100
15010	8/6	G ¹ / ₈	15,0	23,0	12	100
15011	8/6	G ¹ / ₄	17,0	26,0	12	100
15012	8/6	G ³ / ₈	20,0	26,0	12	100
15013	8/6	G ¹ / ₂	24,0	31,2	12	100
15014	10/8	G ¹ / ₈	15,0	27,5	14	50
15015	10/8	G ¹ / ₄	17,0	29,5	14	50
15016	10/8	G ³ / ₈	20,0	30,5	14	50
15017	10/8	G ¹ / ₂	24,0	34,0	14	50
15018	12/10	G ³ / ₈	20,0	31,5	15	25
15019	12/10	G ¹ / ₂	24,0	35,0	15	25
15021	12/9	G ¹ / ₄	20,0	31,5	15	25
15023	12/9	G ³ / ₈	20,0	31,5	15	25
15020	15/12,5	G ¹ / ₂	24,0	36,5	22	25





406

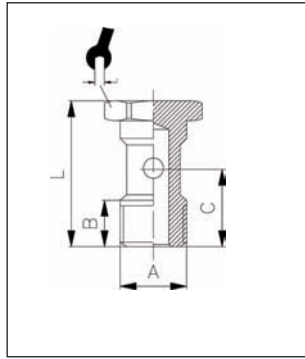
Ringstück 2-fach

Double banjo body

Anello doppio

Corps de banjo double

	ØD	A	B	L		
15101	4/2,7	M5	12,5	39,0	8	100
15102	4/2,7	G ¹ / ₈	15,0	46,6	8	100
15120	4,3/3	M5	9,0	33,0	8	100
15121	4,3/3	G ¹ / ₈	15,0	46,6	8	100
15103	5/3	M5	9,0	33,0	8	100
15104	5/3	G ¹ / ₈	15,0	46,6	8	100
15105	6/4	M5	9,0	33,0	9	100
15106	6/4	G ¹ / ₈	15,0	46,6	10	100
15107	6/4	G ¹ / ₄	17,0	50,6	10	100
15108	6/4	G ³ / ₈	20,0	53,6	10	100
15109	8/6	G ¹ / ₈	15,0	50,0	12	100
15110	8/6	G ¹ / ₄	17,0	55,0	12	100
15111	8/6	G ³ / ₈	20,0	55,4	12	100
15112	8/6	G ¹ / ₂	24,0	62,5	12	100
15113	10/8	G ¹ / ₈	15,0	55,0	14	50
15114	10/8	G ¹ / ₄	17,0	59,0	14	50
15115	10/8	G ³ / ₈	20,0	61,0	14	50
15116	10/8	G ¹ / ₂	24,0	68,0	14	50
15117	12/10	G ³ / ₈	20,0	63,0	15	25
15118	12/10	G ¹ / ₂	24,0	70,0	15	25
15122	12/9	G ³ / ₈	14,5	66,0	15	25
15119	15/12,5	G ¹ / ₂	24,0	62,0	22	25

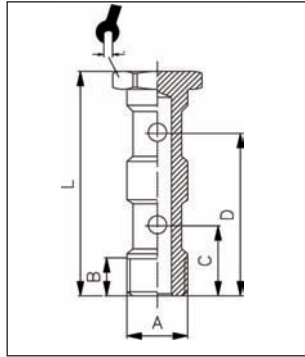


407

Hohlschraube 1-fach

Banjo single stern | Asta singola | Vis 1 étage

	A	B	C	L		
14101	M5	4,5	9,6	17,5	8	100
14106	M6	7,5	10,8	19,0	8	100
14102	G ¹ / ₈	7,5	15,0	28,0	14	50
14103	G ¹ / ₄	11,0	18,0	33,0	17	50
14104	G ³ / ₈	13,0	21,0	36,0	19	50
14105	G ¹ / ₂	14,5	23,5	42,0	27	25

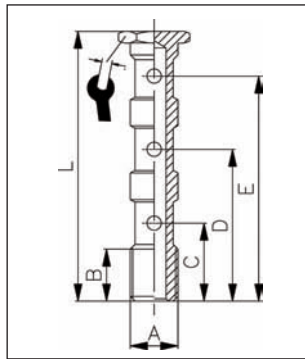


408

Hohlschraube 2-fach

Banjo double stern | Asta doppia | Vis 2 étages

	A	B	C	D	L		
14202	G ¹ / ₈	9,0	15,0	31,0	44,5	14	50
14503	G ¹ / ₄	11,0	17,0	36,0	51,5	17	50
14504	G ³ / ₈	14,0	20,5	43,0	58,1	19	50
14505	G ¹ / ₂	13,0	23,5	49,5	68,0	27	25

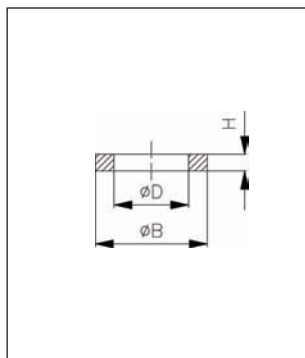
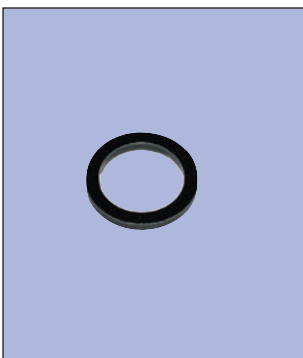


415

Hohlschraube 3-fach

Banjo triple stern | Asta tripla | Vis 3 étages

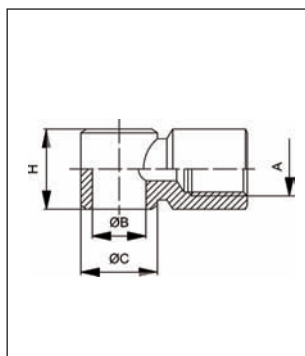
	A	B	C	D	E	L		
14301	G ¹ / ₈	9,0	16,0	32,5	48,0	60,0	14	50
14703	G ¹ / ₄	12,0	18,5	37,0	55,5	70,5	17	50
14303	G ³ / ₈	13,0	20,0	43,0	65,0	80,0	19	50
14705	G ¹ / ₂	16,0	25,0	51,0	70,5	94,0	24	25



411

Dichtring PVC-hart schwarz | Spacer washer | Rondella distanziatrice | Joint en plastique PVC dur

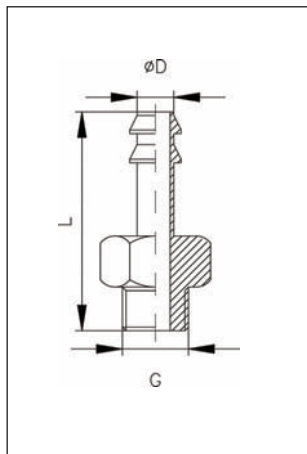
	ØD	ØB	H	für Gew.	
800031	5,3	7,7	1,0	M5	200
800032	10,2	13,0	1,5	G ¹ / ₈	200
800033	13,4	17,9	2,0	G ¹ / ₄	200
800034	17,1	21,8	2,0	G ³ / ₈	200
800035	21,3	26,5	2,0	G ¹ / ₂	100
800036	26,7	32,4	2,0	G ³ / ₄	100
800037	33,5	39,0	2,0	G1	100



412

Ringstück mit Innengewinde | Female single banjo body
Anello singolo femmina | Corps de banjo femelle

	A	B	C	H	
60901	M5	5,1	-	10,0	100
60902	G ¹ / ₈	10,0	14	15,0	50
60903	G ¹ / ₄	13,3	18	17,0	50
60904	G ³ / ₈	17,0	21	20,0	25
60905	G ¹ / ₂	21,0	26	24,0	25

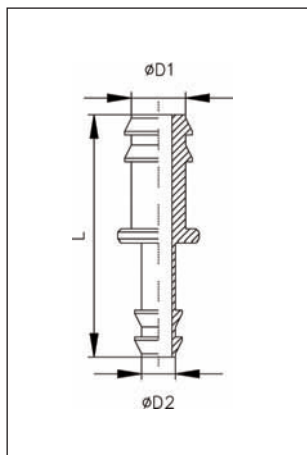


601

Stecknippel-Einschraubverschraubung

Connector male threaded
 Connettore maschio
 Connecteur mâle

	ØD	G	L		
150001	3	M5	17	8	50
150002	4	M5	18	8	50

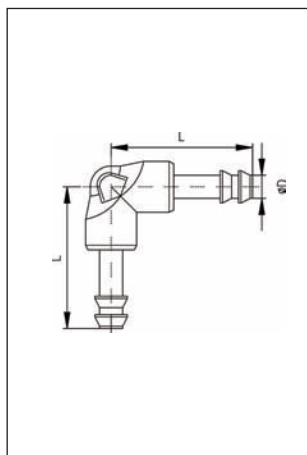


603

Stecknippel-Verbinder

Push-in connector
 Connettore automatico
 Connecteur rapide

	ØD1	ØD2	L		
150401	2	2	20		50
150402	3	2	20		50
150403	3	3	20		50
150404	4	3	21		50
150405	4	4	22		50
150406	6	4	22		50
150407	6	6	22		50

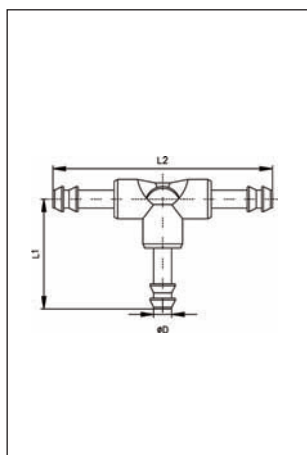


604

Stecknippel-Winkelverbinder

Push-in elbow connector
 Connettore a gomito automatico
 Connecteur coudé rapide

	ØD1	L		
151301	2	16		50
151302	3	16		50
151303	4	22		50
151304	6	22		50



605

Stecknippel-T-Verbinder

T-Connector push in
 Connettore a T-automatico
 Connecteur à T-rapide

	ØD1	L1	L2		
152301	2	16	32		50
152302	3	16	32		50
152303	4	22	44		50
152304	6	22	44		50